

ASSEMBLY PROCEDURE/SERIES 26

EDGE GUARD FRAMELESS/SLIMLINE BIFOLDING MIRROR & PREFINISHED PANEL DOORS

Top Track
#26-553 1/2" (12.7mm)
Low Profile Steel or
#26-523 1/2" (12.7mm)
Low Profile Aluminum or
#26-543 3/4" (19.1mm)
Medium Profile Aluminum

Guide Pivot
#26-053

Top and Bottom Rails
#26-113 Steel or
#26-123 Aluminum

Top Pivot
#26-054

Reversible Frameless/
Slimline Stile
#26-323 Steel or
#26-443 Aluminum

Center Hinge
#26-008 (Optional)

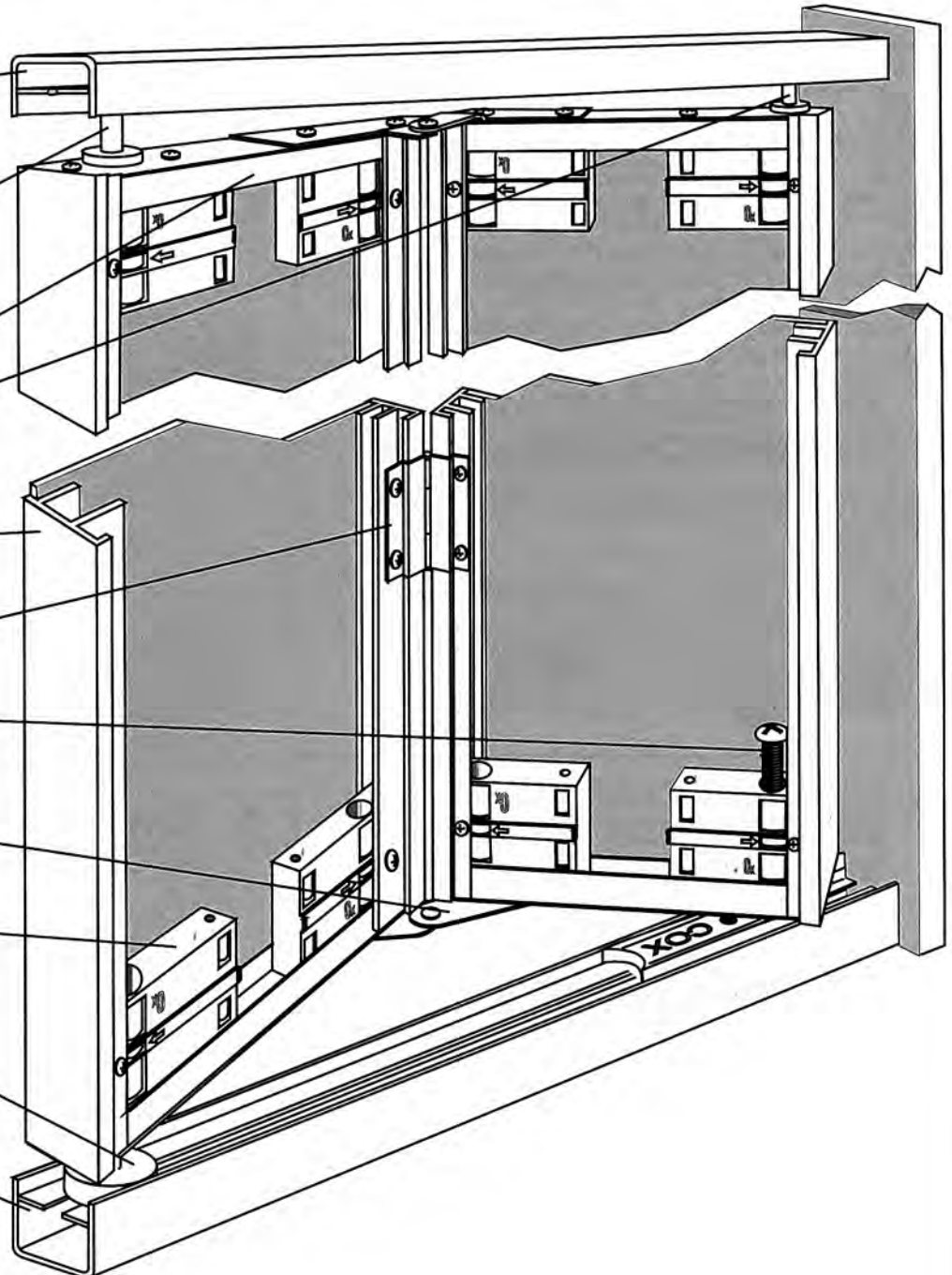
Bottom Adjusting Pivot
#26-055

Top and Bottom Hinge
#26-009

Universal
Corner Block
#26-001

Guide Pivot
#26-053

Bottom Track
#26-553 1/2" (12.7mm)
Low Profile Steel or
#26-523 1/2" (12.7mm)
Low Profile Aluminum or
#26-543 3/4" (19.1mm)
Medium Profile Aluminum



ASSEMBLY INSTRUCTIONS

1. SIZE DOORS TO FIT OPENINGS

STILE HEIGHT

NET FINISHED OPENING HEIGHT	MIRROR LENGTH	STILE LENGTH
80 1/2" (204.5cm)	77 7/8" (197.8cm)	78" (198.1cm)
96" (243.8cm)	93 3/8" (237.2cm)	93 1/2" (237.5cm)

RAIL WIDTH

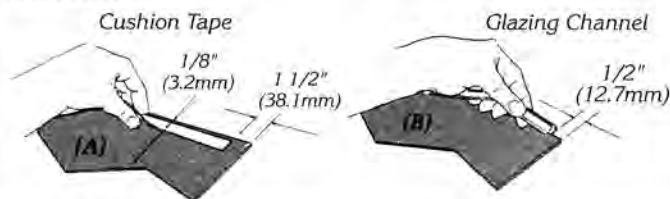
NET FINISHED OPENING WIDTH	NO. DOORS	MIRROR WIDTH	RAIL LENGTH
24" (60.9cm)	2	11 9/16" (29.4cm)	11 1/2" (29.2cm)
30" (76.2cm)	2	14 9/16" (36.9cm)	14 1/2" (36.8cm)
36" (91.4cm)	2	17 9/16" (44.6cm)	17 1/2" (44.5cm)
48" (121.9cm)	4	11 9/16" (29.4cm)	11 1/2" (29.2cm)
60" (152.4cm)	4	14 9/16" (36.9cm)	14 1/2" (36.8cm)
72" (182.9cm)	4	17 9/16" (44.6cm)	17 1/2" (44.5cm)

2. CLEAN STILE AND MIRROR

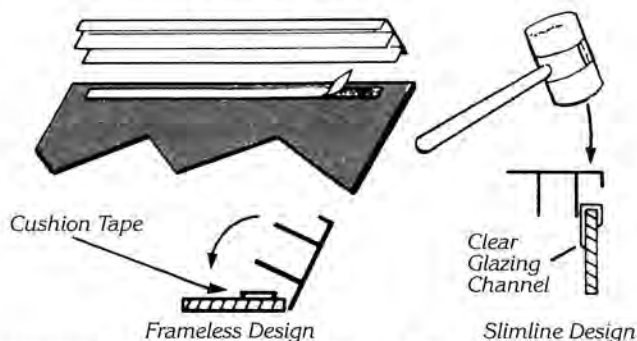
Stiles and mirror for frameless doors must be clean and free from dust and grease where tape will be applied. Cox suggests the use of any non-residual solvent such as Isopropyl Rubbing Alcohol (70% minimum by volume) for this purpose.

3. APPLY CUSHION TAPE OR GLAZING CHANNEL

Install dual face cushion tape (A) or clear "Slimline" glazing channel (B) as shown. None required on top and bottom.

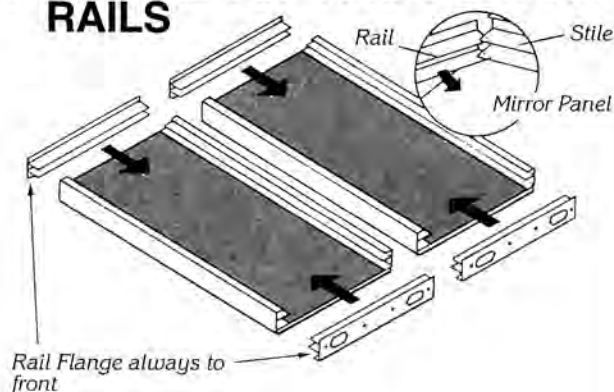


4. INSTALL REVERSIBLE EDGE GUARD FRAMELESS/SLIMLINE STILES



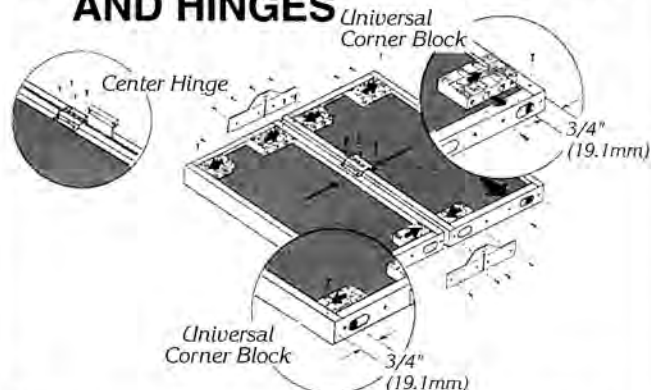
Remove paper covering on tape. Butt frameless side against mirror and rotate stile into position, keeping tight against mirror. Press downward on tape. For slimline, tap stile onto mirror over clear glazing channel. Stile should extend 1/16" (1.6mm) beyond each end.

5. INSTALL TOP AND BOTTOM RAILS



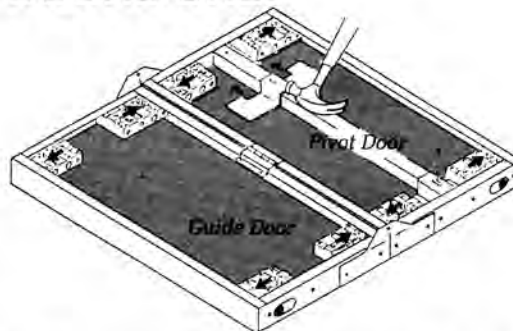
Install top and bottom rails between stiles onto mirror panel. Insert center flange of rail between mirror and stile and press into position.

6. INSTALL CORNER BLOCKS AND HINGES



Noting arrow direction, insert universal corner blocks aligning proper hole in rail slot. Butt doors together. Attach corner blocks, top and bottom hinges with 5/8" (15.9mm) screws as shown. Option-install center hinge using #05-261 spacing template between doors. Remove when complete.

7. FOR PREFINISHED PANEL DOORS ONLY



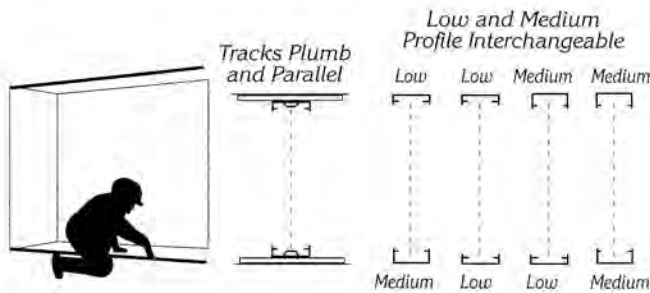
Install stiffener bar on **pivot door** (jamb side) only. Slide stiffener brackets onto stiffener bar. Center bar and brackets on back side of pivot door. Secure stiffener bar by tapping bracket under top and bottom rails. Install self-tapping screw in each bracket to lock in place.

INSTALLATION INSTRUCTIONS

1. FIT DOORS TO OPENINGS

WIDTH			HEIGHT	
OPENING SIZE	NO. DOORS	OVERALL DOOR SIZE	OPENING SIZE	OVERALL DOOR SIZE
24" (60.9cm)	2	11 3/4" (29.8cm)	80 1/2" (204.5cm)	78" (198.1cm)
30" (76.2cm)	2	14 3/4" (37.5cm)	96" (243.8cm)	93 1/2" (237.5cm)
36" (91.4cm)	2	17 3/4" (45.1cm)		
48" (121.9cm)	4	11 3/4" (29.8cm)		
60" (152.4cm)	4	14 3/4" (37.5cm)		
72" (182.9cm)	4	17 3/4" (45.1cm)		

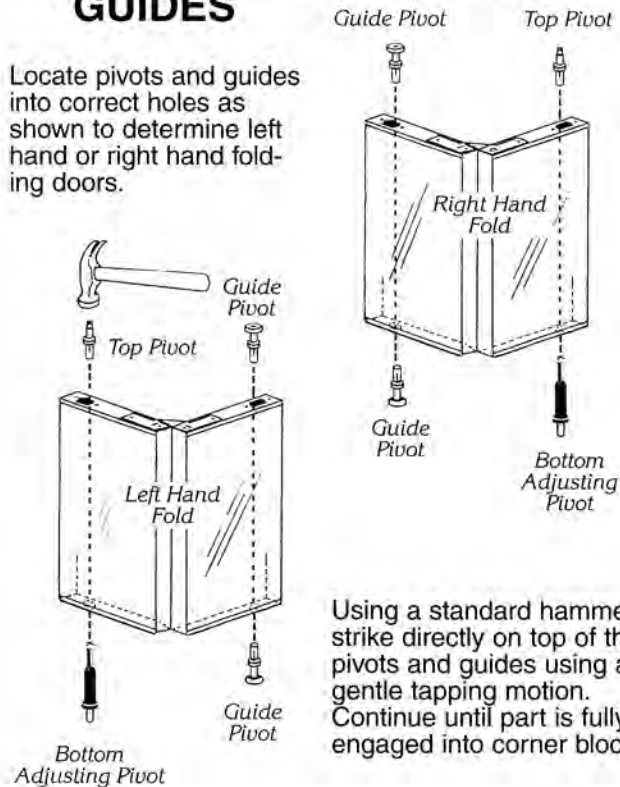
2. INSTALL TOP AND BOTTOM TRACKS



Top and bottom tracks should be level for best operation and must be plumb with one another. If track is installed in non-cased opening be sure wood backing is provided during framing.

3. INSTALL PIVOTS AND GUIDES

Locate pivots and guides into correct holes as shown to determine left hand or right hand folding doors.



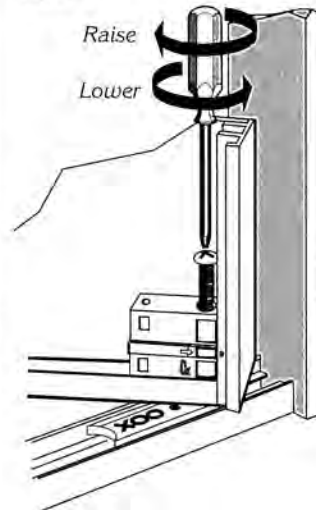
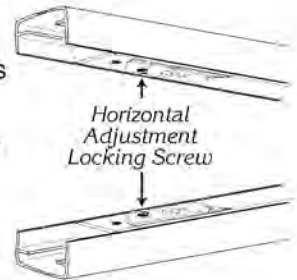
4. INSTALL DOORS

Stand in front of opening. Fold doors and insert top guide into track and top pivot into top track bracket. Raise doors and place bottom pivot into bottom track bracket and bottom guide into track.



5. ADJUST DOORS

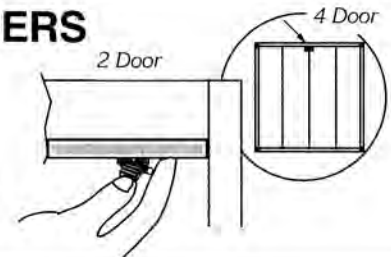
Horizontal – Use phillips head screwdriver to adjust track brackets to align doors so that two center doors are plumb, parallel and approximately 1/8" (3.2mm) apart.



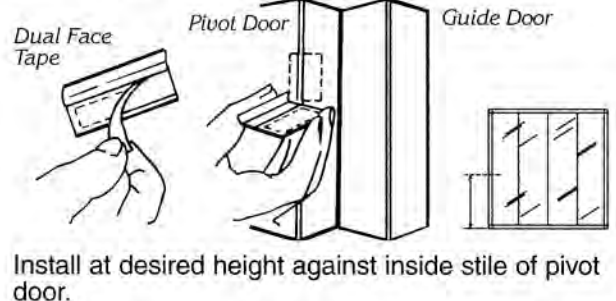
Vertical – Top edge of doors must be parallel with track. Using phillips head screwdriver, turn adjusting pivot (patent pending) to obtain proper spacing from track.

6. SNUGGERS

Install next to striking jamb for 2 doors. Insert in center of track for 4 doors.

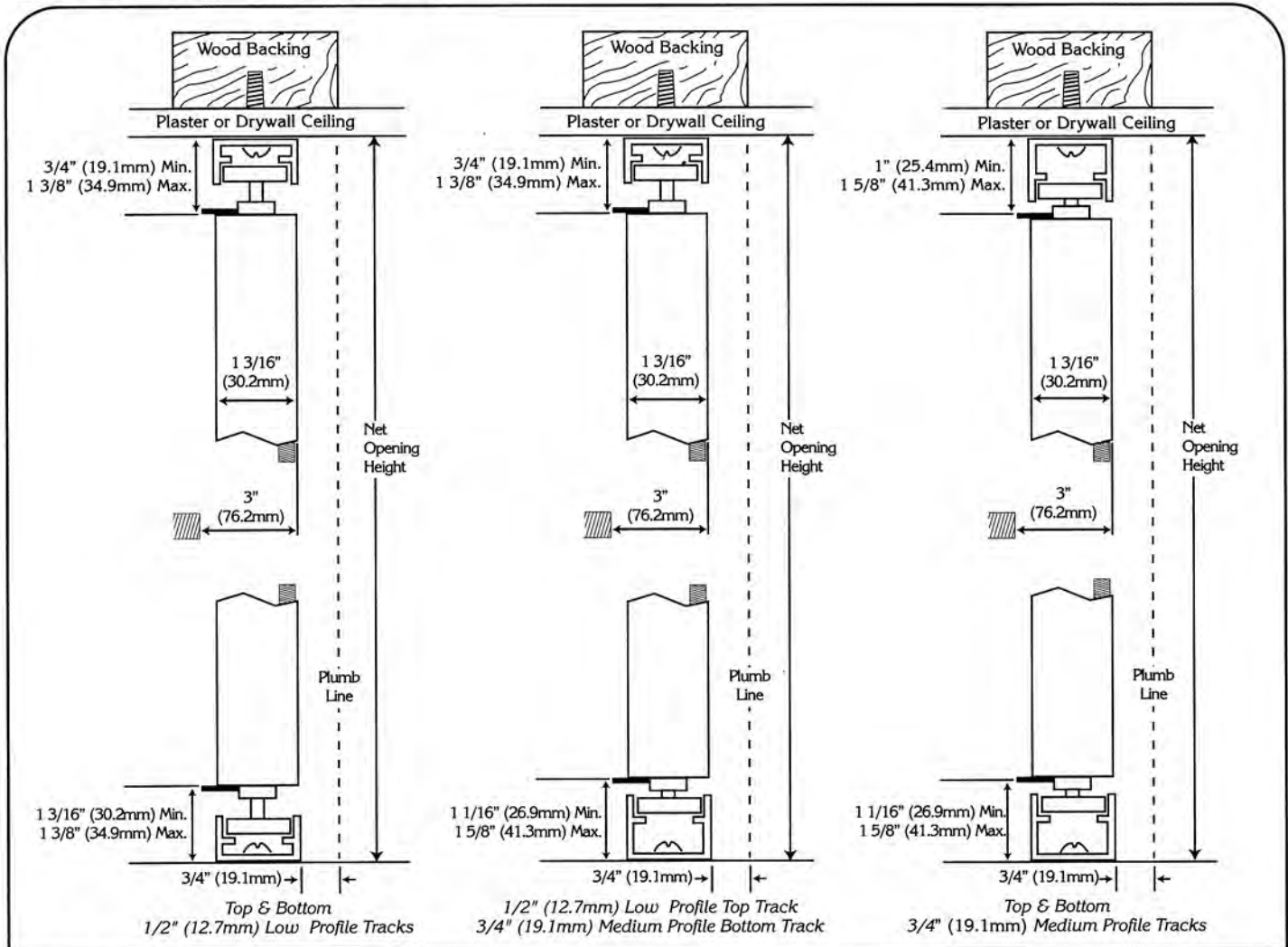


7. INSTALL PULLS



Install at desired height against inside stile of pivot door.

SERIES 26



ARCHITECTURAL SPECIFICATIONS

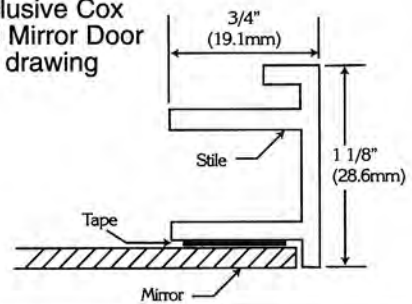
Bifold doors shall be guided by interchangeable Series 26 1/2" (12.7mm) low profile steel or aluminum, or 3/4" (19.1mm) medium profile aluminum tracks.

Doors shall be assembled by attaching prefinished "Edgeguard" steel or aluminum stiles with Series 22 dual face cushion tape for Frameless Design or Series 26 clear glazing channel for Slimline Design. Each corner shall have one universal corner block fastened to both stiles and rails by means of 3 screws. Corner blocks shall have a single cavity to accept either self-contained spring-loaded guides and top pivots or vertically adjustable bottom pivots. Hinges shall be of concealed design with integral stop to prevent overclosing of door.

Top and bottom tracks, stiles, pivots and all other hardware shall be manufactured by Arthur Cox & Sons, Industry, California.

ARCHITECTURAL SPECIFYING DETAILS

To specify the exclusive Cox Series Edgeguard Mirror Door system. Duplicate drawing on plans.



MIRROR SPECIFICATIONS

COX Series 26 Mirror Door hardware is manufactured ready to assemble on pre-cut 1/8" or 5/32" (3 or 4 mm) polished or beveled edge safety-backed mirror. Mirror for reach-in closet applications must conform to ANSI Z 97.1-1984 Category 1 Safety Glazing Standards.* Mirror for passage door applications must conform to CPSC 42 FR 1428; 16 CFR Part 1201 Category 2 Safety Glazing Standards.**

*American National Standards Institute 1430 Broadway, New York, N.Y. 10018

**U.S. Consumer Product Safety Commission, Washington, D.C. 20207

COXusa

4755 E. ZINFANDALE COURT, SUITE D | ONTARIO, CA 91761
P 909/975-4801 | WWW.COXUSA.COM

How To Operate Drilling Template #05-260

Cut Material to Size

Mark stile or rail for desired length and cut with fine tooth hacksaw (32 teeth per inch blade). Always cut in pairs (see drawings). Cut rails at top and bottom hinge end only.

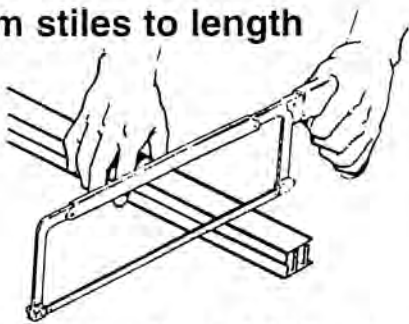
Height: Stile—finished opening height less (-) 2 1/2"

Mirror—stile length less (-) 1/8"

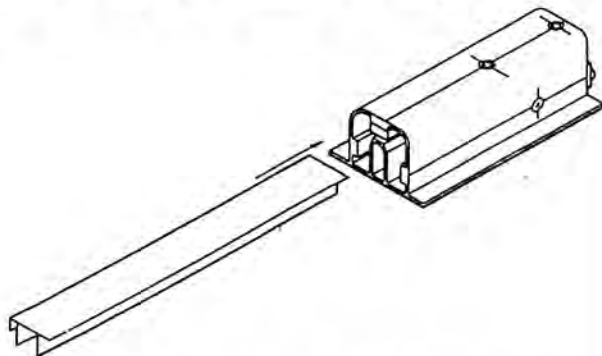
Width: Rails—finished opening width divided (÷) by number of doors less (-) 1/2"

Mirror—rail length plus (+) 1/16"

1. Trim stiles to length

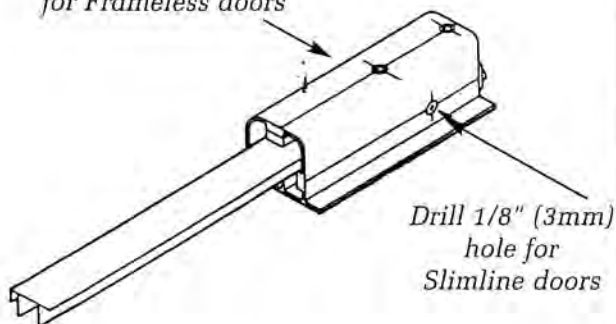


2. Insert stile into drilling template

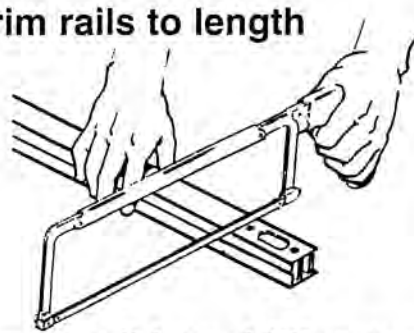


3. Drill 1 each stile hole for Frameless or Slimline doors

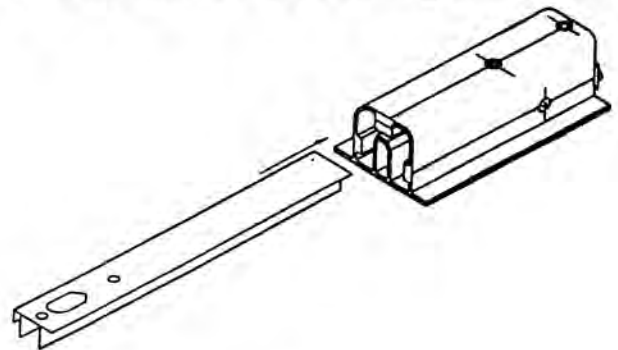
Drill 1/8" (3mm) hole
for Frameless doors



1. Trim rails to length



2. Insert rail into drilling template



3. Drill 2 each rail holes

Drill 3/16" (5mm) holes

